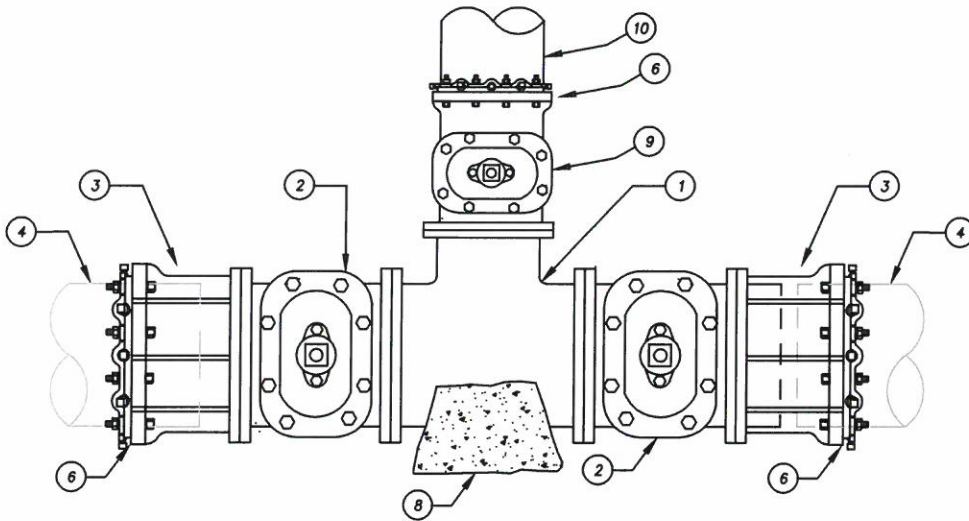
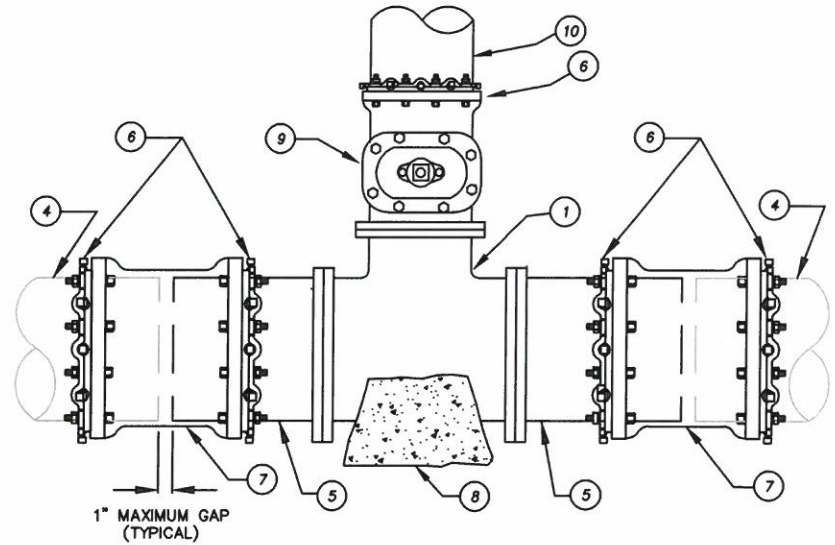


PVC WATER MAIN



WITH VALVES ON MAIN



WITHOUT VALVES ON MAIN

ITEM MATERIALS

- ① — DI TEE, FLG.
- ② — RW GATE VALVE FLG.
- ③ — DI FLANGED COUPLING ADAPTER WITH TYPE 316SS NUTS, BOLTS AND WASHERS (PVC BY DIP).
- ④ — EXISTING PVC MAIN LINE.
- ⑤ — DI, FLG X PE, CLASS 53 (MINIMUM LENGTH IS 24 INCHES).


ITEM MATERIALS

- ⑥ — MECHANICAL JOINT RETAINER GLAND WITH TYPE 316SS T-BOLTS, NUTS AND WASHERS, EBAA IRON MEGA-LUG.
- ⑦ — SOLID DUCTILE IRON MECHANICAL JOINT SLEEVE.
- ⑧ — THRUST BLOCK PER CITY STD DWG 401.
- ⑨ — RW GATE VALVE FLG X MJ.
- ⑩ — DIP, PE, CLASS 350.

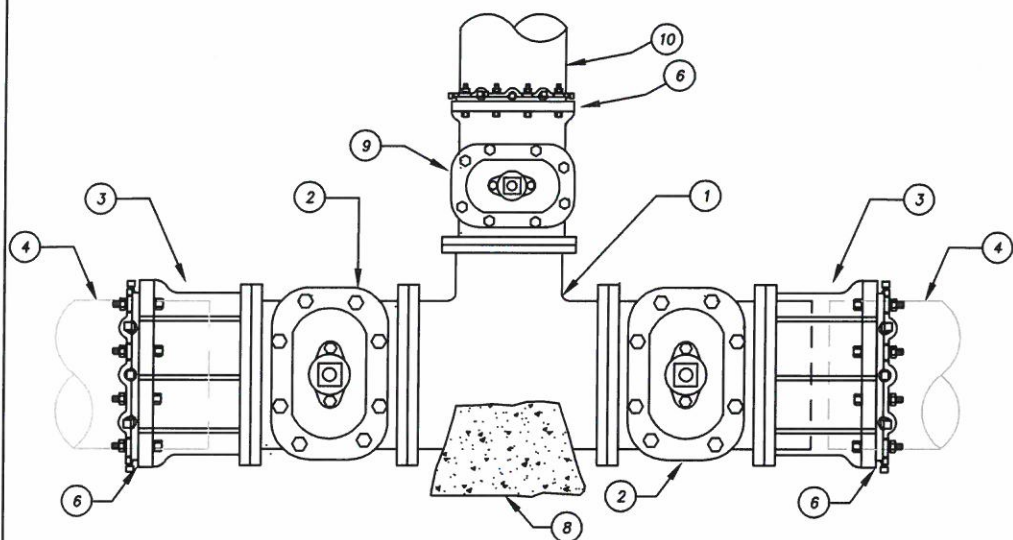
NOTE:

1. DOUBLE WRAP ALL METALLIC PARTS WITH 8 MIL POLYETHYLENE ENCASEMENT PER AWWA C105.

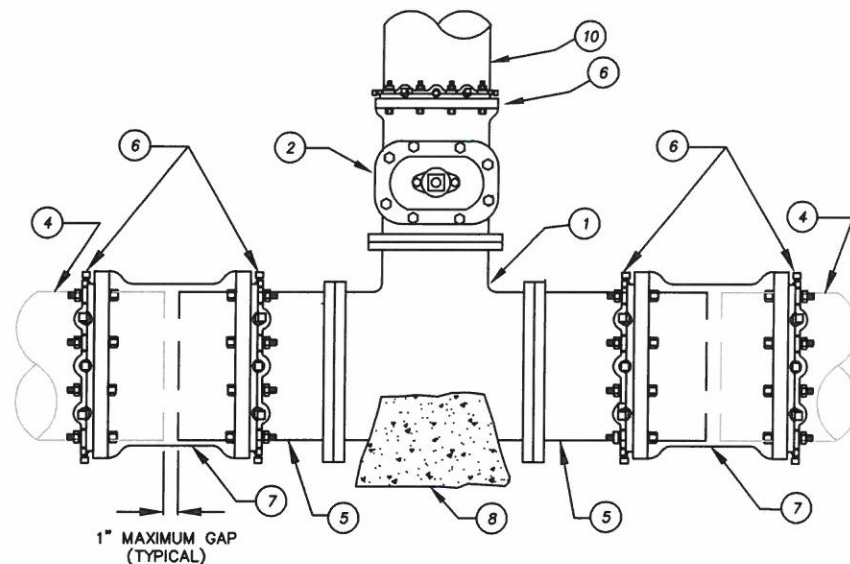
CUT-IN TEE

REVISION			APPROVED:		DATE	CITY OF CORONA
NO.	APPROVED	DATE				
1	<i>HW</i>	4/22/14	<i>Nelson Nelson</i> NELSON D. NELSON, PE. CITY ENGINEER		4-24-14	 STD 421 SHEET 1 OF 3
			<i>Tom Koper</i> TOM KOPER, PE, DISTRICT ENGINEER, DEPARTMENT OF WATER AND POWER		4-22	

DIP WATER MAIN



WITH VALVES ON MAIN



WITHOUT VALVES ON MAIN

ITEM MATERIALS

- ① — DI TEE, FLG.
- ② — RW GATE VALVE FLG.
- ③ — DI FLANGED RESTRAINED COUPLING WITH TYPE 316SS NUTS, BOLTS AND WASHERS.
- ④ — EXISTING DIP. MAINLINE.
- ⑤ — DIP, CLASS 53 (LENGTH = 24 INCHES).

ITEM MATERIALS

- ⑥ — MECHANICAL JOINT RETAINER GLAND WITH TYPE 316SS T-BOLTS, NUTS AND WASHERS, EBAA IRON MEGA-LUG.
- ⑦ — SOLID DUCTILE IRON MECHANICAL JOINT SLEEVE.
- ⑧ — CONCRETE THRUST BLOCK PER CITY STD DWG 401.
- ⑨ — RW GATE VALVE FLG X MJ.
- ⑩ — DIP, PE, CLASS 350.

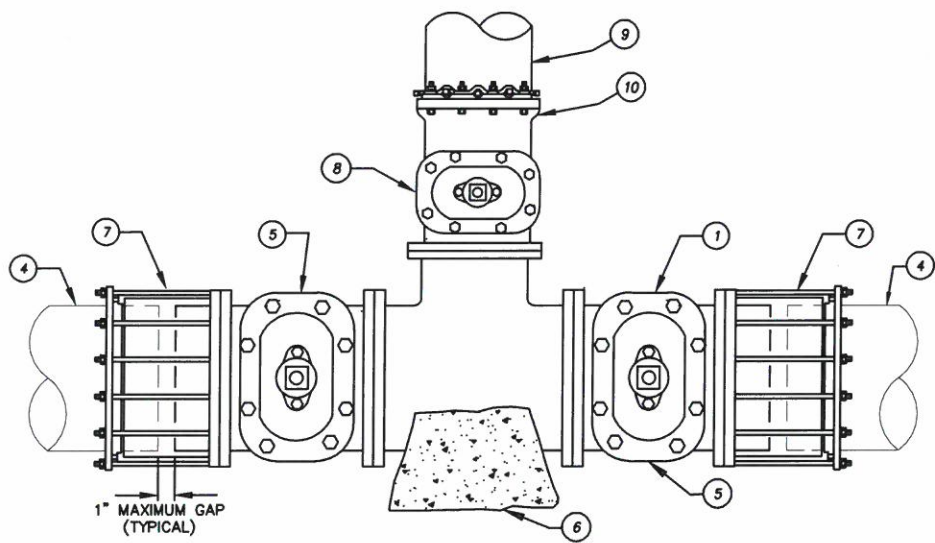
NOTE:

1. DOUBLE WRAP ALL METALLIC PARTS WITH 8 MIL. POLYETHYLENE ENCASEMENT PER AWWA C105.

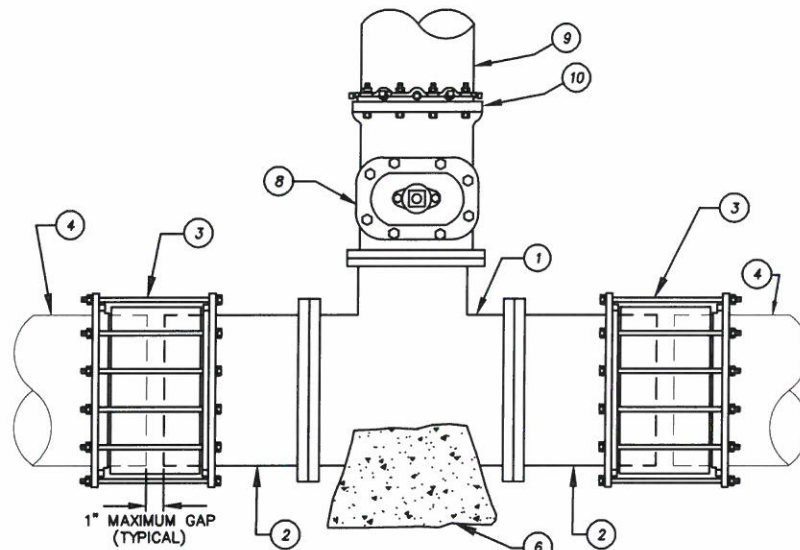
CUT-IN TEE

REVISION			APPROVED:		DATE	CITY OF CORONA
NO.	APPROVED	DATE	NELSON D. NELSON, PE, CITY ENGINEER	DATE		
1	<i>V.R.W.</i>	4/22/14	<i>Nelson D. Nelson</i>	4-24-14	DATE	 STD 421 SHEET 2 OF 3
			<i>Tom Koper</i>	4-24-14	DATE	

ASBESTOS CEMENT PIPE (ACP) WATER MAIN



WITH VALVES ON MAIN



WITHOUT VALVES ON MAIN

ITEM MATERIALS

- 1 — DI TEE, FLG.
- 2 — DIP, FLG X PE, CLASS 53 (MINIMUM LENGTH IS 24 INCHES).
- 3 — PIPE COUPLING ADAPTER (ACP ROUGH BARREL BY DIP) WITH TYPE 316SS NUTS, BOLTS AND WASHERS (MINIMUM CENTER SLEEVE LENGTH OF 12 INCHES).
- 4 — EXISTING ACP MAIN LINE.
- 5 — RW GATE VALVE FLG.


NOTES:

1. REMOVE MACHINED-END FROM ACP AND CONNECT TO EXISTING ROUGH BARREL.
2. DOUBLE WRAP ALL METALLIC PARTS WITH 8 MIL. POLYETHYLENE ENCASEMENT PER AWWA C105.

ITEM MATERIALS

- 6 — CONCRETE THRUST BLOCK PER CITY STD DWG 401.
- 7 — FLANGED COUPLING ADAPTER WITH TYPE 316SS NUTS, BOLTS AND WASHERS.
- 8 — RW GATE VALVE FLG X MJ.
- 9 — DIP, PE, CLASS 350.
- 10 — MECHANICAL JOINT RETAINER GLAND WITH TYPE 316SS T-BOLTS, NUTS AND WASHERS, EBAA IRON MEGALUG.

CUT-IN TEE

REVISION			APPROVED:		DATE	CITY OF CORONA
NO.	APPROVED	DATE				
1	<i>Vrw</i>	4/22/14	<i>Nelson D. Nelson</i>	NELSON D. NELSON, PE. CITY ENGINEER	4-24-14	 STD 421 SHEET 3 OF 3
			<i>Tom Koper</i>	TOM KOPER, PE, DISTRICT ENGINEER DEPARTMENT OF WATER AND POWER	4-24-14	