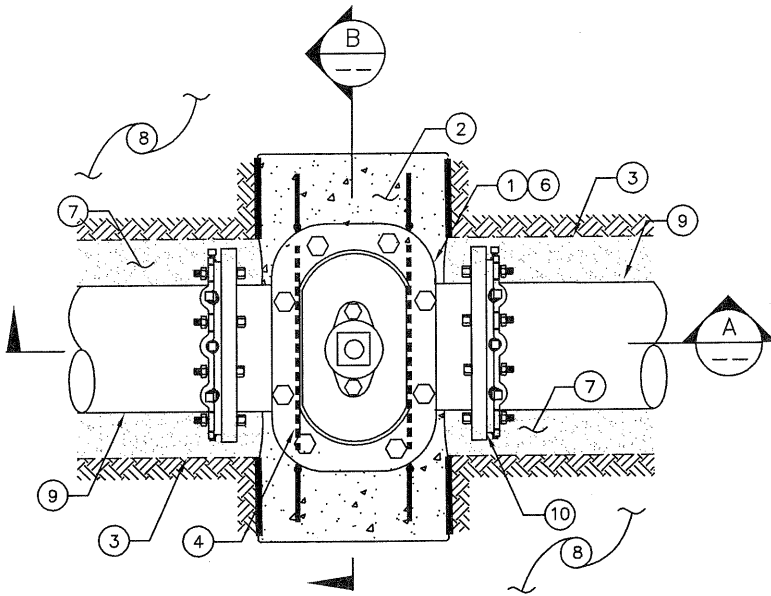
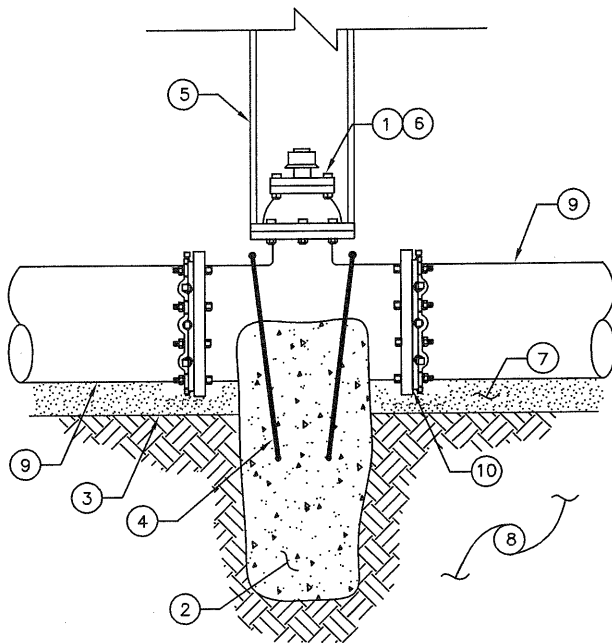


NOTES:

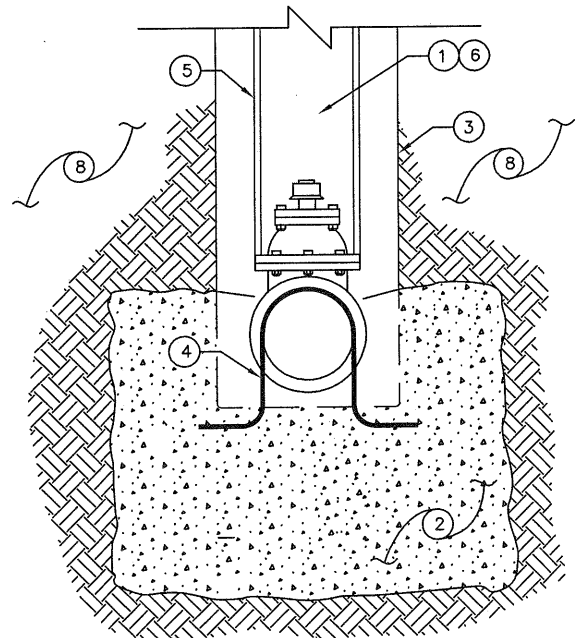
- ① RESILIENT WEDGE GATE VALVE PER AWWA C515. INSTALL TYPE 316SS BONNET BOLTS AND NUTS.
- ② CONCRETE SUPPORT/THRUST BLOCK PER CITY STD. DWG. 401.
- ③ TRENCH BOUNDARY.
- ④ #4 REBAR ANCHORS (MIN). PER CITY STD. DWG. 401
- ⑤ VALVE CAN AND RISER PER CITY STD. DWG. 422.
- ⑥ WRAP VALVES WITH TWO LAYERS OF 8-MIL POLYETHYLENE PRIOR TO CONCRETE PLACEMENT.
- ⑦ PIPE BEDDING PER CITY STD. DWG. 406.
- ⑧ UNDISTURBED EARTH.
- ⑨ PIPE PER PLANS.
- ⑩ RESTRAINED MECHANICAL JOINT, EBAA IRON MEGALUG SERIES 1100, TYPE 316SS MOUNTING HARDWARE.



PLAN
NO SCALE



SECTION A
NO SCALE



SECTION B
NO SCALE

RESILIENT WEDGE GATE VALVE INSTALLATION

| REVISION | | |
|----------|----------|------|
| NO. | APPROVED | DATE |
| | | |
| | | |
| | | |

APPROVED:
Nelson D. Nelson
 NELSON D. NELSON, PE,
 CITY ENGINEER
Tom Koper
 TOM KOPER, PE, DISTRICT ENGINEER,
 DEPARTMENT OF WATER AND POWER

11-26-2012
 DATE
 11-20-12
 DATE



CITY OF CORONA
 STD 420
 SHEET 1 OF 1