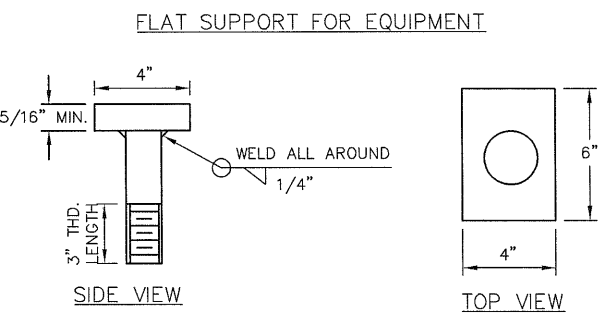


- | ITEM | MATERIALS   |
|------|---|
| 1    | 8-INCHx8-INCHx1/2-INCH BASE PLATE WITH (4) 3/4-INCH DIAMETER BOLT HOLES.  |
| 2    | 3-INCH DIAMETER SCH. 40 PIPE WELDED TO BASE PLATE, STOCKED @ 15 INCHES LONG TO BE CUT TO SIZE IN THE FIELD.   |
| 3    | COAT THREADS WITH LIBERAL AMOUNTS OF ANTI-SEIZE COMPOUND.   |
| 4    | 5/8-INCH DIAMETER CONCRETE ANCHOR BOLT WITH 5/8-INCH DIAMETER HEX HEAD ANCHOR NUT AND 1-INCH x 5/8-INCH HEAVY WASHER. DRILL AND EPOXY GROUT INTO CONCRETE PAD OR VAULT FLOOR.       |
| 5    | 1-INCH THICK NON-SHRINK GROUT LEVELING COURSE.  |
| 6    | CONCRETE PAD OR STRUCTURE FLOOR.  |
| 7    | 3/8-INCH THICK X 4-INCH WIDE SADDLE ASSEMBLY. PRE-COAT WITH POLYURETHANE SPRAY COATING. 40 MILS THICK. TOP AND SIDE SURFACES ONLY. SADDLE ROLLED TO MATCH RADIUS OF PIPE OR FLANGE. |
| 8    | 3/8-INCH GUSSET THICK GUSSET PLATE.   |
| 9    | 3-INCH DIAMETER SCH. 80 RECEIVER TUBE WITH 1/2-INCH ALLEN SET SCREW.  |
| 10   | 2-1/2-INCH DIAMETER SCH. 40 THREADED RISER, PROVIDE APPROX. 6-INCHES OF ADJUSTMENT.   |
| 11   | 3-INCH DIAMETER HEAVY THREADED ADJUSTMENT COUPLING WITH 1/2-INCH DIAMETER SET SCREW.  |

**NOTES:**

- ALL PIPE SUPPORT COMPONENTS AND MOUNTING HARDWARE SHALL BE TYPE 316SS.
- PROVIDE CUSTOM DESIGN FOR CARRIER PIPES LARGER THAN 12-INCH DIAMETER.



REVISION			APPROVED		CITY OF CORONA
NO.	APPROVED	DATE		DATE	
			<i>Nelson D. Nelson</i>	11-21-12	
			NELSON D. NELSON, P.E. CITY ENGINEER		
			<i>Tom Koper</i>	11-20-12	
			TOM KOPER, P.E. DISTRICT ENGINEER, DEPARTMENT OF WATER AND POWER		