

* DIMENSION MAY VARY FOR SPECIAL CIRCUMSTANCES.

ITEM MATERIALS


- ① — DOUBLE STRAP BRASS SADDLE: FORD STYLE 202BSD, MUELLER BR2S AND BR2W SERIES, OR JAMES JONES J-969 SERIES FOR AC, CIP, DIP AND PVC PIPES. FORD STYLE 202B, MUELLER BR2B SERIES, OR JAMES JONES J-979 SERIES FOR DIP.
- ② — CORPORATION STOP (BALL VALVE): JONES E1935SG, FORD F1100-4-Q, OR MUELLER B-25028.
- ③ — 1" COPPER TUBING TYPE "K".
- ④ — ANGLE METER STOP (BALL VALVE): JONES E1966W, FORD KV43-444W, OR MUELLER B-24258 "LOCK ON" STYLE.
- ⑤ — J&R W5-1/2 POLYMER CONCRETE METER BOX AND COVER WITH POLYMER CONCRETE READING LID LABELED "RECLAIMED WATER". 17"x28"x12" INSIDE DIMENSIONS. (J&R W6-T FOR H-20 LOADS).

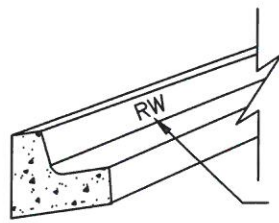
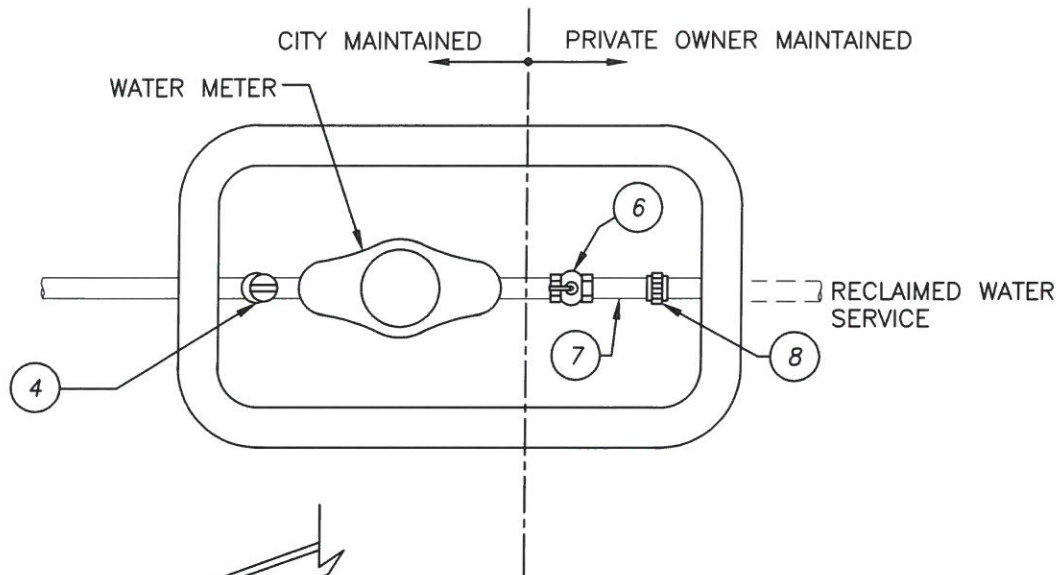
NOTES:

1. SERVICE SADDLE SHALL NOT BE INSTALLED WITHIN 12-INCHES OF VALVE, COUPLING, JOINT, OR FITTING.
2. DOUBLE-WRAP ALL PIPING BELOW GRADE IN PURPLE COLORED 8-MIL POLYETHYLENE SLEEVES LABELED RECLAIMED WATER. EXTEND POLYETHYLENE SLEEVES 2-INCHES MINIMUM ABOVE FINISH GRADE. SECURE WITH 10-MIL TAPE.
3. ALL CONNECTIONS TO COPPER TUBING SHALL BE COMPRESSION TYPE AND SERVICE MUST BE CONTINUOUS AND UN CUT. NO SWEAT TYPE FITTINGS ALLOWED.
4. CONNECTIONS TO STEEL WATER MAINS SHALL BE WITH A WELDED 3000 POUND HALF COUPLING AND DIELECTRIC INSULATING BUSHING. ALL STEEL SURFACES SHALL BE COVERED WITH CEMENT MORTAR.
5. ROUND AND DE-BURR ALL COPPER PIPE PRIOR TO INSTALLATION.
6. WRAP SERVICE SADDLE WITH 8-MIL PURPLE POLYETHYLENE.
7. INSTALL BRASS PIPING AND FITTINGS INSIDE METER BOX BETWEEN ANGLE METER STOP AND BRASS UNIONS.
8. INSTALL METER BOXES PAINTED PURPLE AT THE DESIGN GRADE WITH A PRE-LOWERED ANGLE METER STOP. IF THE BOX AND METER ASSEMBLY MUST BE LOWERED/RAISED TO A NEW GRADE THEN THE SUPPLY PIPE SHALL BE FROZEN AND THE ANGLE METER STOP GASKETS SHALL BE REPLACED.
9. PROVIDE METER BOXES IN UNIMPROVED STREETS AND BEHIND ROLLED CURBS WITH COVERS AND BOXES RATED FOR H-20 TRAFFIC LOADS.

NOT TO SCALE

1" RECLAIMED WATER SERVICE CONNECTION DETAIL

REVISION			APPROVED:		CITY OF CORONA
NO.	APPROVED	DATE		DATE	
1	<i>VAD</i>	2/13/14	<i>Nelson D. Nelson</i>	5-6-14	
2	<i>VAV</i>	4/30/14	<i>Tom Koper</i>	4-30-14	
			NELSON D. NELSON, PE, CITY ENGINEER		STD 414R
			TOM KOPER, PE, DISTRICT ENGINEER, DEPARTMENT OF WATER AND POWER		SHEET 1 OF 2



1-1/2" (RW) IN THE CENTER LINE OF THE CURB FACE TO MARK THE SERVICE LOCATION WHERE THE LATERAL CROSSES UNDER THE CURB. USE WHEEL GRINDER, 1/4" DEEP GROOVE.

NOTES:

1. ALL CONNECTIONS TO COPPER TUBING SHALL BE COMPRESSION TYPE AND SERVICE MUST BE CONTINUOUS AND UN CUT. NO SWEAT TYPE FITTINGS ALLOWED.
2. ROUND AND DE-BURR ALL COPPER PIPE PRIOR TO INSTALLATION.
3. EQUIP ALL SERVICES WITH A "LOCK OFF" STYLE BALL VALVE FOR THE RECLAIMED WATER SERVICE.
4. INSTALL BRASS PIPING AND FITTINGS INSIDE METER BOX BETWEEN ANGLE METER STOP AND BRASS UNIONS.
5. INSTALL METER BOXES PAINTED PURPLE AT THE DESIGN GRADE WITH A PRE-LOWERED ANGLE METER STOP. IF THE BOX AND METER ASSEMBLY MUST BE LOWERED/RAISED TO A NEW GRADE THEN THE SUPPLY PIPE SHALL BE FROZEN AND THE ANGLE METER STOP GASKETS SHALL BE REPLACED.
6. PROVIDE METER BOXES IN UNIMPROVED STREETS AND BEHIND ROLLED CURBS WITH COVERS AND BOXES RATED FOR H-20 TRAFFIC LOADS.
7. THE CONTRACTOR IS RESPONSIBLE FOR THE COMPLETE SERVICE CONNECTION AS SHOWN ON THIS STANDARD PLAN EXCEPT FOR THE WATER METER. THE CITY WILL PROVIDE AND INSTALL THE WATER METER.
8. THE WATER SERVICE SHALL EXTEND PERPENDICULAR TO THE CENTERLINE OF THE STREET FROM THE WATER MAIN TO THE METER STOP.


ITEM

MATERIALS

- ④ — ANGLE METER STOP (BALL VALVE): JONES E1966W, FORD KV43-444W, OR MUELLER B-24258 "LOCK ON" STYLE.
- ⑥ — METER VALVE. USE JONES STYLE E1908DL OR FORD STYLE #B13 WITH HB-34S "LOCK OFF" HANDLE.
- ⑦ — RED BRASS NIPPLE, THREADED BOTH ENDS, SIZE AS REQUIRED.
- ⑧ — BRASS UNION.

NOT TO SCALE

1" RECLAIMED WATER SERVICE CONNECTION DETAIL

REVISION			APPROVED		CITY OF CORONA
NO.	APPROVED	DATE		DATE	
1	VRW	2/13/14	<i>Nelson D. Nelson</i>	5-6-14	
2	VRW	4/30/14	<i>Tom Koper</i>	4-30-14	
			<small>NELSON D. NELSON, PE, CITY ENGINEER</small> <small>TOM KOPER, PE, DISTRICT ENGINEER, DEPARTMENT OF WATER AND POWER</small>		STD 414R SHEET 2 OF 2