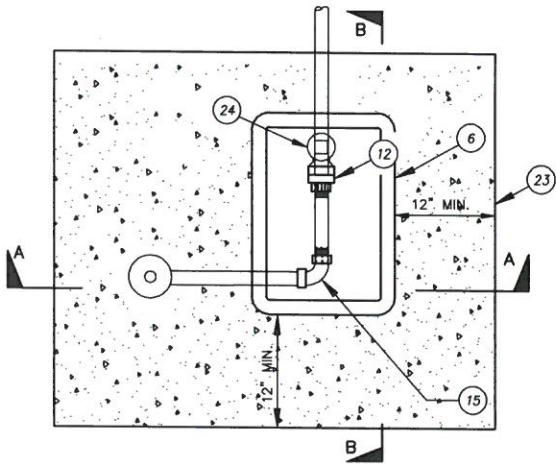
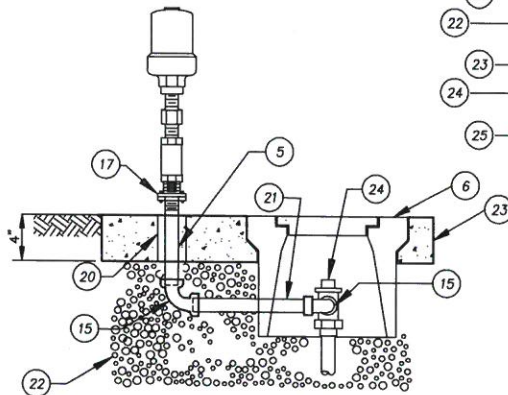


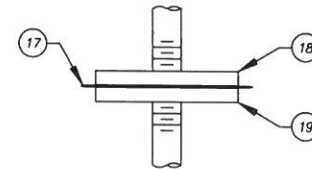
SECTION B-B



PLAN



SECTION A-A



FLANGE CONNECTION

ITEM MATERIALS

- 1—1-INCH OR 2-INCH COMBINATION AIR & VACUUM RELIEF VALVE, ROLLING SEAL STYLE ARI D-040C. PAINT PURPLE PANTONE 512C.
- 2—1-INCH OR 2-INCH TYPE 316SS NIPPLE MIPT X FLG.
- 3—1-INCH OR 2-INCH EXTRA HEAVY HEX HEAD, TYPE 316SS.
- 4—1-INCH OR 2-INCH TYPE 316SS BALL VALVE W/ LOCKABLE HANDLE.
- 5—2-INCH BRASS NIPPLE MIPT X FLG.
- 6—POLYMER CONCRETE METER BOX PER CITY STD. DWG. 414R WITH PURPLE LID. READING LID NOT REQUIRED.
- 7—2-INCH COPPER ADAPTER (COMP X FIP) MUELLER H15451 OR EQUAL.
- 8—2-INCH 90-DEGREE BRASS STREET ELBOW.
- 9—6-INCH PURPLE WARNING TAPE LABELED "RECLAIMED WATER" ABOVE AIR/VAC SERVICE LATERAL.
- 10—2-INCH COPPER SERVICE PIPE, TYPE "K" RIGID. PRIOR TO INSTALLATION, COPPER PIPE SHALL BE ROUNDED AND DE-BURRED.
- 11—DOUBLE STRAP BRASS SADDLE: FORD STYLE 202BSD, MUELLER BR2S AND BR2W SERIES, OR JAMES JONES J-969 SERIES FOR AC, CIP, DIP AND PVC PIPES. FORD STYLE 202B, MUELLER BR2B SERIES, OR JAMES JONES J-979 SERIES FOR DIP.
- 12—2-INCH METER NUT BY FIPT ADAPTER.
- 13—2-INCH BRASS NIPPLE, THREADED BOTH ENDS, 6-INCHES LONG.
- 14—SAWCUT OR CORE DRILL METER BOX FOR 2-INCH PIPE.
- 15—2-INCH BRASS 90-DEGREE BEND FIPT X FIPT.
- 16—TYPE 316SS SCREEN.
- 17—FLANGE INSULATING KIT PER CITY STD. DWG. 458.
- 18—TYPE 316SS COMPANION FLANGE.
- 19—BRASS COMPANION FLANGE.
- 20—3-INCH SCH. 80 PVC SLEEVE.
- 21—2-INCH BRASS NIPPLE, THREADED BOTH ENDS.
- 22—3/4-INCH CRUSHED ROCK PLACE TO DEPTH 6-INCHES BELOW CONCRETE METER BOX.
- 23—4-INCH THICK 560-C-3250 CONCRETE.
- 24—ANGLE METER STOP (BALL VALVE): JONES E19966W, FORD KV43-444W, OR MUELLER B-24265N OR B-24286N "LOCK ON" STYLE.
- 25—CORPORATION STOP (BALL VALVE), JONES E1935SG, FORD FB1100-4-Q OR 6-Q, OR MUELLER B-25028.

NOT TO SCALE

1" OR 2" RECLAIMED WATER COMBINATION AIR AND VACUUM RELEASE

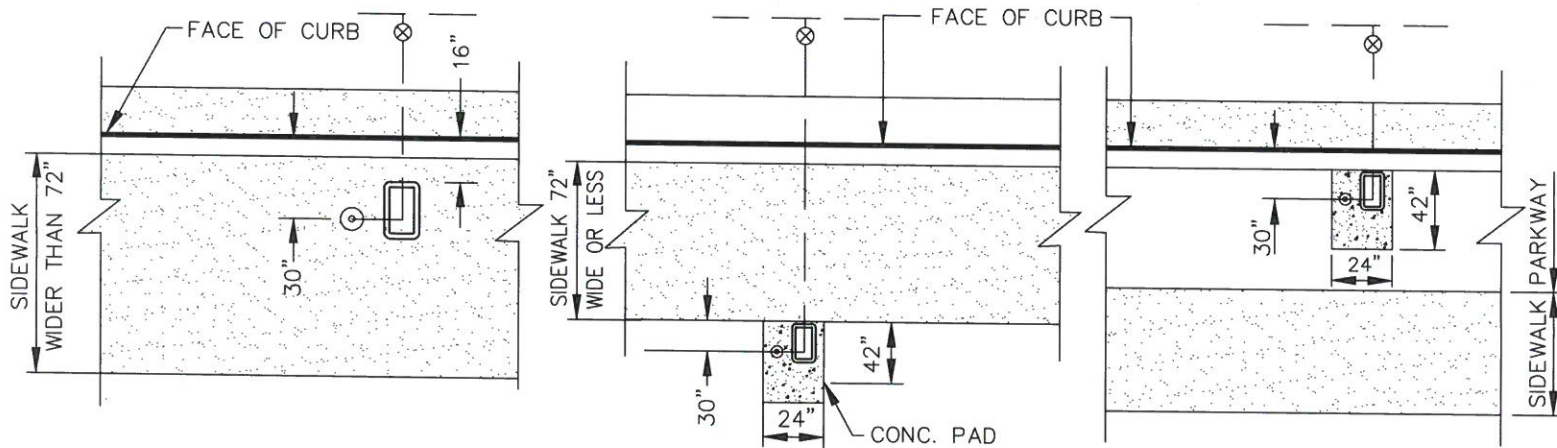
REVISION		
NO.	APPROVED	DATE
1	<i>[Signature]</i>	2/13/14
2	<i>[Signature]</i>	4/30/14

APPROVED	
<i>[Signature]</i>	9-18-14
NELSON D. NELSON, PE. CITY ENGINEER	DATE
<i>[Signature]</i>	9-18-14
TOM KOOPER, PE, DISTRICT ENGINEER, DEPARTMENT OF WATER AND POWER	DATE



CITY OF CORONA  
STD 413R  
SHEET 1 OF 2

SEE AIR AND VACUUM  
RELEASE LOCATION PLANS  
ON SHEET 2



CASE 1

(ONLY BY APPROVAL OF DWP  
GENERAL MANAGER OR DESIGNEE)

CASE 2

CASE 3

NOTES:

1. WRAP SERVICE SADDLE AND CORP STOP WITH 8-MIL PURPLE POLYETHYLENE.
2. PAINT ABOVE GRADE PORTION OF AIR/VAC ASSEMBLY PURPLE PANTONE 512C.
3. ENCASE COPPER AND BRASS PIPING SERVICE TO 1/2-INCH ABOVE FINISH GRADE WITH TWO 8-MIL PURPLE POLYETHYLENE SLEEVES (DOUBE-WRAP).
4. POSITION ASSEMBLY PER APPLICABLE CASE 1, 2 OR 3 AS SHOWN HEREON.
5. THE CITY WILL DETERMINE IF 1-INCH OR 2-INCH ASSEMBLY IS TO BE INSTALLED. REFER TO PROJECT PLANS.
6. MARK VALVE LOCATION AND DISTANCES TO TWO POINTS ON ADJACENT CURB USING A 4-INCH WHEEL GRINDER.
7. FILL ANNULAR SPACE IN SLEEVE WITH SAND.
8. INCREASE THE DISTANCE BETWEEN THE AIR/VAC VALVE AND SCREEN TO EXTEND FARTHER THAN THE FLANGE.

NOT TO SCALE

1" OR 2" RECLAIMED WATER COMBINATION AIR AND VACUUM RELEASE			
REVISION			APPROVED:
NO.	APPROVED	DATE	
1	VFW	2/13/14	 NELSON D. NELSON, PE, CITY ENGINEER
2	VFW	4/30/14	
			 TOM KOPER, PE, DISTRICT ENGINEER, DEPARTMENT OF WATER AND POWER
			5-6-14 DATE 4-30-14 DATE
			 CITY OF CORONA
			STD 413R
			SHEET 2 OF 2