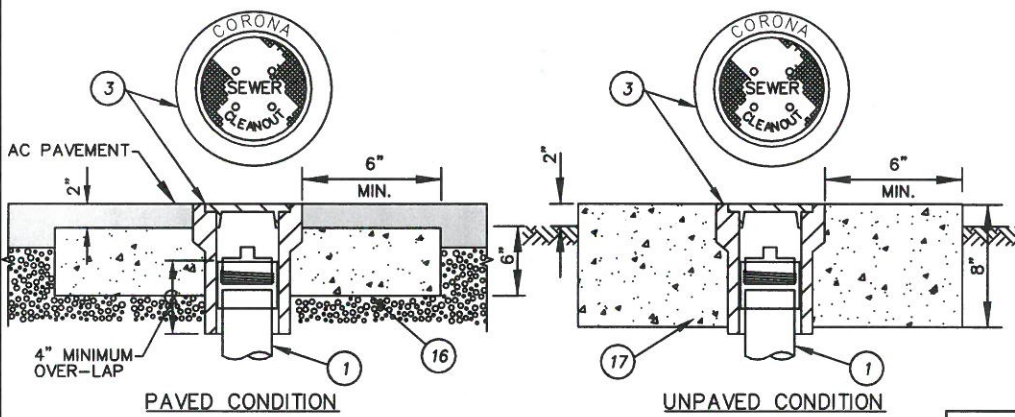


- 1 — SDR-26 PVC PIPE. SIZE AS REQUIRED.
- 2 — SDR-26 PVC CROSS, BELL X BELL. SIZE AS REQUIRED.
- 3 — CLEAN OUT COVER. PRECAST BOX, FRAME AND COVER WITH MARKING AS SHOWN HEREON. ALHAMBRA #A-1240, NEENAH #R-1976, OR APPROVED EQUAL.
- 4 — SDR-26 PVC LONG RADIUS 90° BEND BELL X SPIGOT END. SIZE AS REQUIRED.
- 5 — NOT USED.
- 6 — STANDARD MANHOLE PER CITY STD. DWG. 302.
- 7 — INSTALL SDR-26 PVC PIPE CONNECTION TO MANHOLE BASE PER DETAIL ON CITY STD. DWG. 302.
- 8 — CORE DRILL MANHOLE SHAFT. FILL ANNULAR SPACE WITH DRY PACK GROUT.
- 9 — REPAIR MANHOLE LINING TO THE SATISFACTION OF DWP GENERAL MANAGER OR DESIGNEE.
- 10 — SLOPE PIPE TO FALL 1/2" TOWARD CROSS.
- 11 — LINE INTERIOR SURFACES OF MANHOLE AND MANHOLE BASE WITH POLYURETHANE (SANCON 100 OR UTILITHANE POLYURETHANES CITY STANDARD, NO EXCEPTIONS). APPLY NON-SKID SURFACE ON TOTAL SHELF AREA.
- 12 — SOLVENT WELD X FIPT SCH. 40 ADAPTER.
- 13 — PVC SCH. 40 STOPPER MIPT PLUG WITH MALE SQUARE NUT.
- 14 — EXTRA-STRENGTH VCP.
- 15 — NOT USED.
- 16 — 560-C-3250 CONCRETE COLLAR (ROUND). SEE NOTE 5.
- 17 — 560-C-3250 CONCRETE COLLAR (SQUARE).

PLUG DETAIL

**NOTES:**

1. DROP MANHOLE SHALL BE APPROVED BY DWP GENERAL MANAGER OR DESIGNEE ONLY WHEN JUSTIFICATION IS PROVIDED SHOWING NO ALTERNATIVES ARE AVAILABLE.
2. FOR MANHOLE CONSTRUCTION NOTES AND DETAILS NOT SHOWN, SEE CITY STD. DWG. 302.
3. CONSTRUCT CLEANOUTS OF THE SAME DIAMETER (4", 6" OR 8") AND MATERIAL AS THE SEWER LATERAL.
4. USE SDR 35 PIPE AND FITTINGS WHERE COVER OVER PIPE EXCEEDS 5-FT AND SDR 26 WHERE COVER IS 5-FT OR LESS.
5. IF LOCATED IN CONCRETE PAVEMENT, CONSTRUCT 6" THICK ROUND COLLAR FLUSH WITH PAVEMENT.



**DROP MANHOLE**

REVISION			APPROVED:		CITY OF CORONA
NO.	APPROVED	DATE	DATE	DATE	
1	<i>VRW</i>	1/15/15	<i>Nelson D. Nelson</i>	10-17-16	 STD 303
2	<i>VRW</i>	4/05/16	NELSON D. NELSON, PE. PUBLIC WORKS DIRECTOR		
3	<i>VRW</i>	10/10/16	<i>Tom Kober</i> TOM KOBER, PE. ASSISTANT PUBLIC WORKS DIRECTOR		