

RESIDENTIAL SERVICES


ITEM MATERIALS

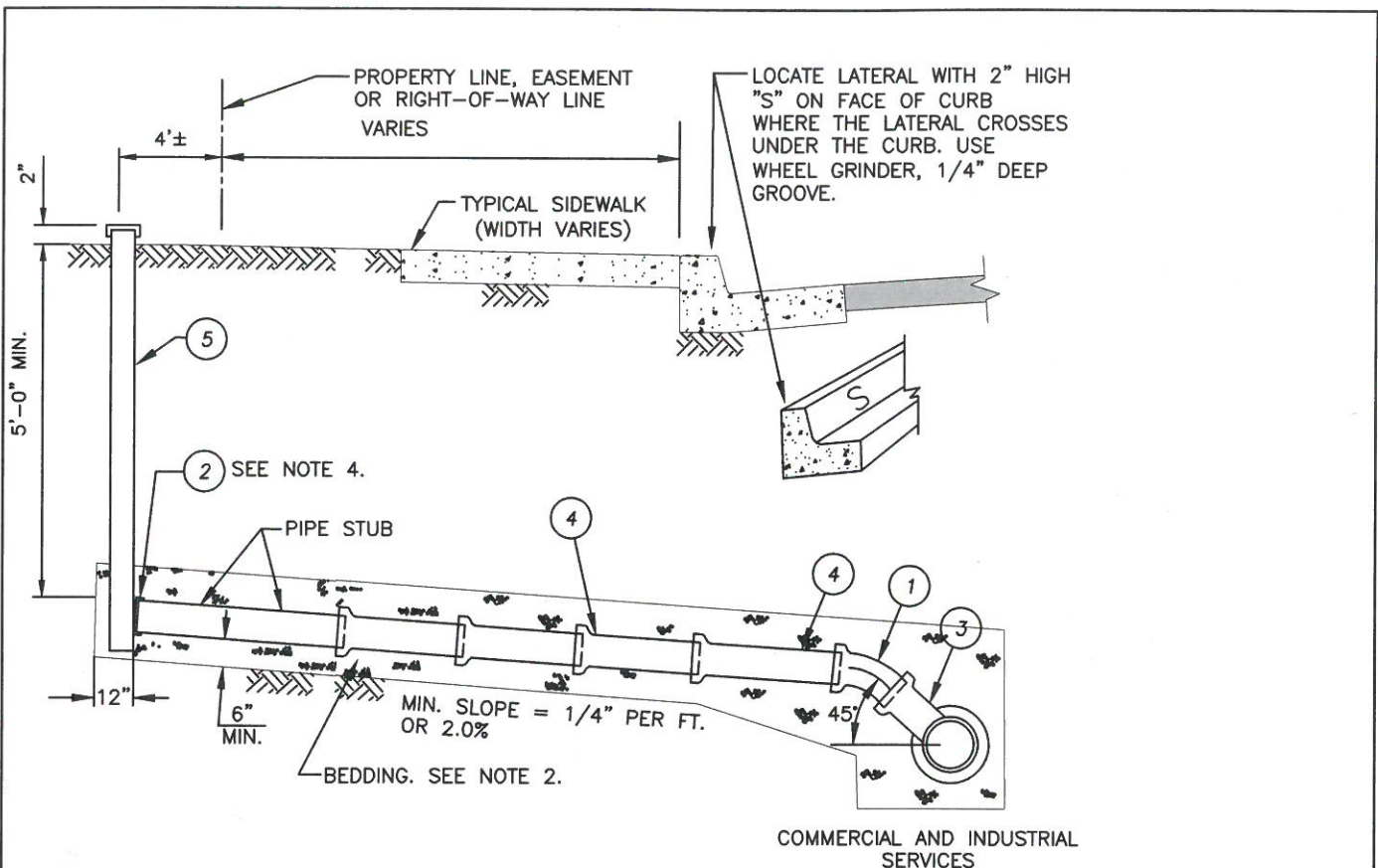
- ① — EXTRA-STRENGTH VCP 1/8 BEND WITH TRANSITION BAND SEAL COUPLING WITH OUTSIDE TYPE 316SS SHEAR RING FOR 4-INCH SINGLE FAMILY OR 6-INCH MULTI-FAMILY RESIDENTIAL SERVICES.
- ② — PIPE CAP.
- ③ — EXTRA-STRENGTH VCP WYE BRANCH FITTING.
- ④ — 4-INCH PVC SEWER PIPE, SDR-26, FOR SINGLE FAMILY RESIDENTIAL SERVICES.
6-INCH PVC SEWER PIPE, SDR-26, FOR MULTI-FAMILY RESIDENTIAL SERVICES.
- ⑤ — 2-INCH PVC SCH. 40 PIPE WITH CAP TO MARK STUB-OUT (REMOVE UPON COMPLETION OF CONNECTION TO ON-SITE SEWER LATERAL).

NOTES:

1. LATERAL SIZE TO BE DETERMINED ON THE BASIS OF TOTAL NUMBER OF FIXTURE UNITS, BUT IN NO CASE SHALL THE LATERAL DIAMETER BE LESS THAN FOUR INCHES FOR SINGLE FAMILY RESIDENTIAL BUILDINGS; NOR LESS THAN SIX INCHES FOR MULTIPLE FAMILY RESIDENTIAL.
2. 3/4-INCH CRUSHED ROCK.
3. TRENCH BACKFILL PER CITY STD. DWG. 150.
4. INSTALL CAP AND STUB-OUT MARKER WHERE LATERAL IS NOT YET CONNECTED TO ON-SITE SEWER.

**SINGLE FAMILY AND MULTI-FAMILY RESIDENTIAL
SEWER LATERAL ON NEW SEWER**

REVISION			APPROVED:			CITY OF CORONA
NO.	APPROVED	DATE		DATE		
1	<i>VPW</i>	10/10/16	<i>Nelson D. Nelson</i>	NELSON D. NELSON, PE, PUBLIC WORKS DIRECTOR	10-17-16	STD 301
			<i>Tom Koper</i>	TOM KOPER, PE, ASSISTANT PUBLIC WORKS DIRECTOR	10-13-16	
						SHEET 1 OF 2






ITEM MATERIALS

- ① — EXTRA-STRENGTH VCP 1/8 BEND FOR 6-INCH AND LARGER COMMERCIAL AND INDUSTRIAL SERVICES.
- ② — PIPE CAP.
- ③ — EXTRA-STRENGTH VCP WYE BRANCH FITTING.
- ④ — 6-INCH AND LARGER EXTRA-STRENGTH VCP SEWER PIPE FOR COMMERCIAL AND INDUSTRIAL SERVICES.
- ⑤ — 2-INCH PVC SCH. 40 PIPE WITH CAP TO MARK STUB-OUT (REMOVE UPON COMPLETION OF CONNECTION TO ON-SITE SEWER LATERAL).

NOTES:

1. LATERAL SIZE TO BE DETERMINED ON THE BASIS OF TOTAL NUMBER OF FIXTURE UNITS, BUT IN NO CASE SHALL THE LATERAL DIAMETER BE LESS THAN SIX INCHES FOR COMMERCIAL OR INDUSTRIAL BUILDINGS.
2. 3/4-INCH CRUSHED ROCK.
3. TRENCH BACKFILL PER CITY STD. DWG. 150.
4. INSTALL CAP AND STUB-OUT MARKER WHERE LATERAL IS NOT YET CONNECTED TO ON-SITE SEWER.

**COMMERCIAL AND INDUSTRIAL
SEWER LATERAL ON NEW SEWER**

REVISION			APPROVED:		DATE	CITY OF CORONA
NO.	APPROVED	DATE				
1	<i>Vpw</i>	10/10/16	 NELSON D. NELSON, PE. PUBLIC WORKS DIRECTOR		10-17-16	 STD 301 SHEET 2 OF 2
			 TOM KOPER, PE. ASSISTANT PUBLIC WORKS DIRECTOR		10-13-16	